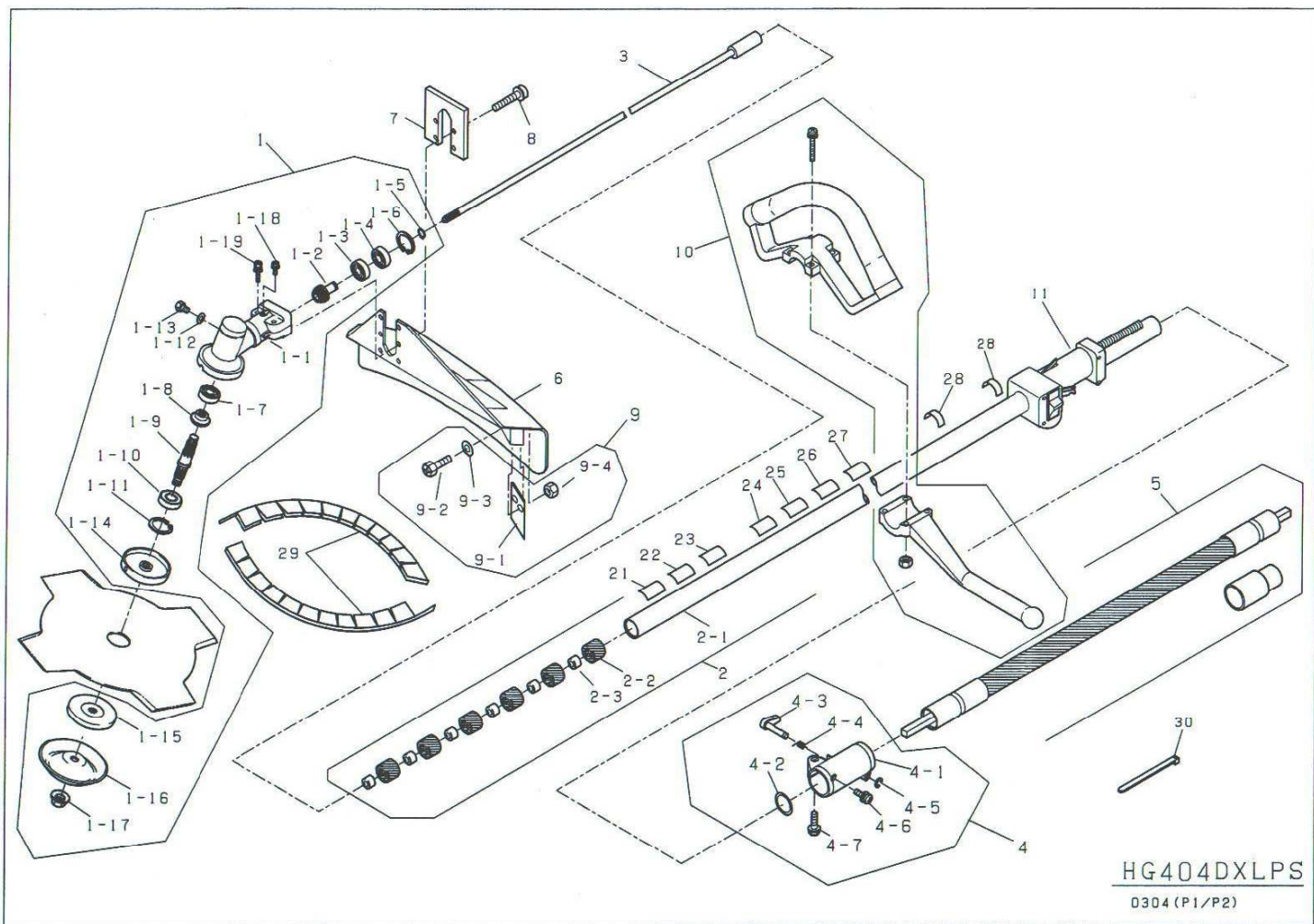




DECESPUGLIATORE EIKOH

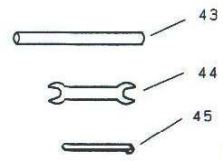
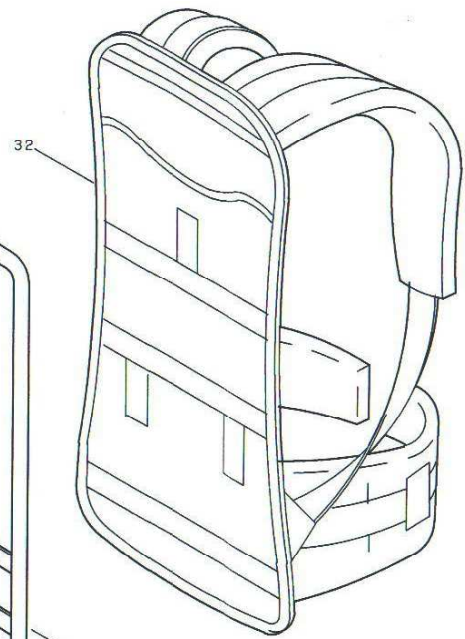
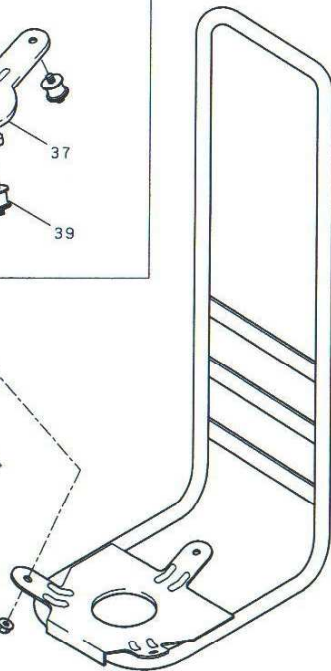
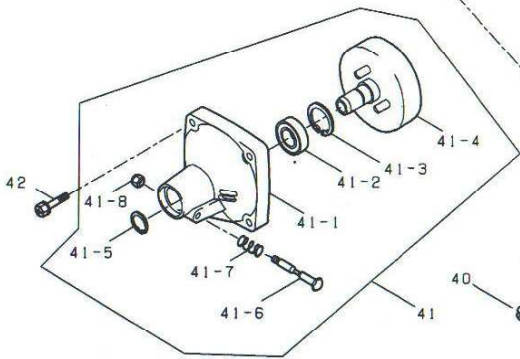
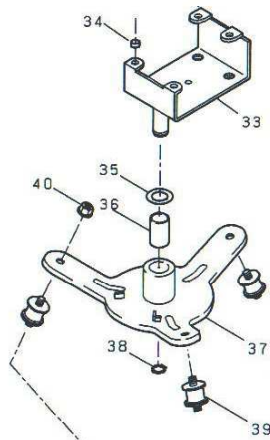
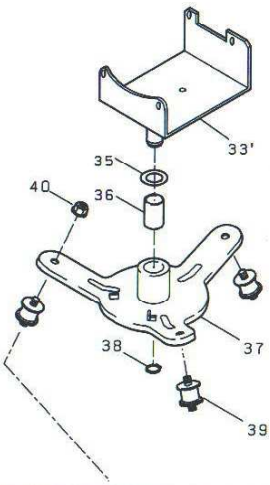
HG404DXLPS

ESPLOSO RICAMBI



TL43PFD, TL52PSD

TH43DX, TH48DX



HG404DXLPS
HG504DXLP
0304 (P2/P2)

HG 4 0 4 D X L P S			
ref.number	part code	description	quantity
1	801666939	GEAR CASE ASS'Y	1
1-1	801656235	GEAR CASE	1
1-2	801656236	PINION	1
1-3	800045020	PINION BEARING	1
1-4	800045500	PINION BEARING	1
1-5	800082010	STOP RING	1
1-6	800083160	STOP RING	1
1-7	800045020	GEAR BEARING	1
1-8	801656237	GEAR	1
1-9	801656238	GEAR SHAFT	1
1-10	800047010	SHAFT BEARING	1
1-11	800083170	STOP RING	1
1-12	801664754	OIL HOLE PACKING	1
1-13	800011000	OIL HOLE BOLT	1
1-14	801682949	HOLDER CUTTER	1
1-15	801666918	CAP CUTTER	1
1-16	801650957	STABILIZER	1
1-17	801666919	NUT	1
1-18	800024210	SCREW	1
1-19	800018120	BOLT	2
2	801667133	DRIVE SHAFT HOUSING ASS'Y	1
2-1	801667132	DRIVE SHAFT HOUSING	1
2-2	802031050	METAL CUSHION	6
2-3	802031060	OIL METAL	6
3	801666983	DRIVE SHAFT	1
4	801664240	FLEXIBLE HOLDER ASS'Y	1
4-1	807140300	FLEXIBLE HOLDER	1
4-2	800033580	O-RING	1
4-3	807140310	KNOB(B)	1
4-4	801664178	KNOB(B) SPRING	1
4-5	800080910	SNAP RING	1
4-6	800024210	SCREW	1
4-7	800018090	BOLT	1
5	801667669	FLEXIBLE SHAFT ASS'Y(930mm)	1
	801667668	FLEXIBLE INNER SHAFT (930mm)	1
6	801666379	SAFETY GUARD	1
7	801666378	SAFETY GUARD HOLDER	1
8	800028240	SCREW	4
9	801665880	BLADE ASS'Y	1
9-1	801665794	BLADE	1
9-2	800010570	BOLT	2
9-3	800032220	WASHER	2
9-4	801664243	NUT	2
10	801681485	HANDLE ASS'Y	1
11	801684371	THROTTELE LEVER ASS'Y	1
21	801655770	LABEL	1
22	803333015	LABEL	1
23	801689070	LABEL	1
24	801655768	LABEL	1
25	801655767	LABEL	1
26	801680542	LABEL	1
27	801687064	LABEL	1
28	801655772	LABEL	2
29	801666953	PROTECTOR	2

HG 4 0 4 D X L P S			
ref.numbe	part code	description	quantity
30	800080360	BAND	1
31	801686853	FRAME	1
32	801686852	CUSHION	1
33	801687155	ENGINE BASE	1
33'	801668099	ENGINE BASE	1
34	801668299	COLLAR	4
35	807159080	WASHER	1
36	807159070	COLLAR	1
37	801684326	BOTTOM BASE	1
38	800082060	STOP RING	1
39	801654093	DAMPER	3
40	801664243	NUT	6
41	801664234	CLUTCH HOUSING ASS'Y	1
41-1	801682981	CLUTCH HOUSING	1
41-2	800046010	CLUTCH BEARING	1
41-3	800083190	STOP RING	1
41-4	807140210	CLUTCH DRUM	1
41-5	800080610	STOP RING	1
41-6	801654099	KNOB(A)	1
41-7	801664174	KNOB(A) SPRING	1
41-8	801654100	NUT	1
42	800018120	BOLT	4
43	801683922	WRENCH	1
44	801654103	SPANNER	1
45	800080360	BAND	1